

All rights reserved by **CNH Industrial**.

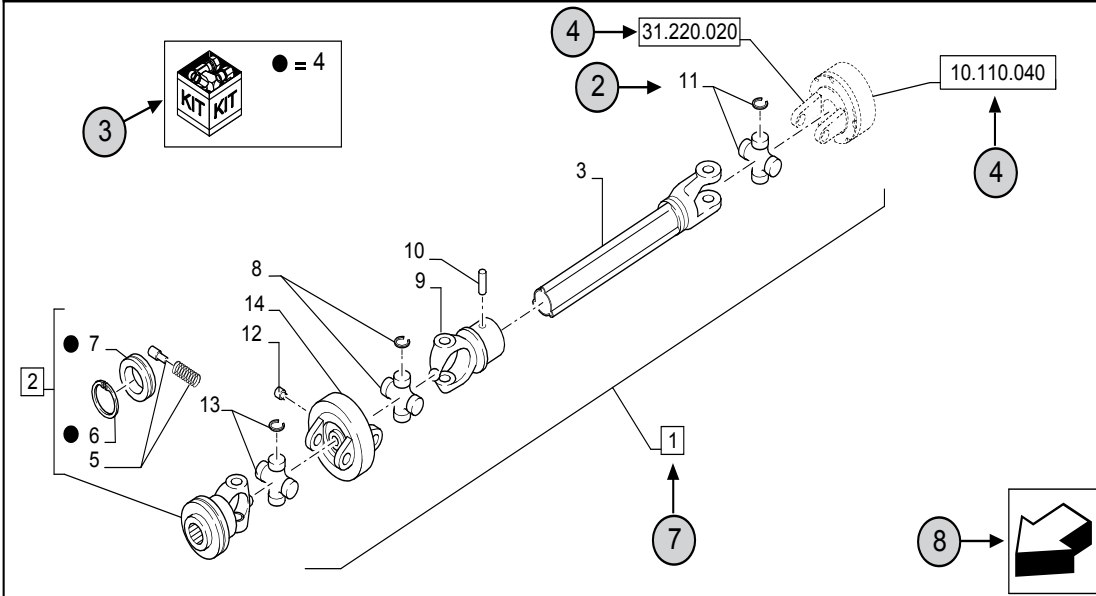
The information contained in this catalogue is intended to be of a general nature only. **CNH Industrial** may at any time and from time to time, for technical or other necessary reasons, modify any of the details or specifications of the product described in this catalogue.

To be sure of getting accurate, detailed and up-to-date information, an intending buyer should consult his nearest **CNH Industrial** dealer or distributor.

Single item numeration method used in this catalogue may not be used without written consent from **CNH Industrial**

31.220.010	01	p1	10/2014
------------	----	----	---------

VAR - 123782, 789101,987654 - PTO - D650



STANDARD ← (6)


(23)	(9)	(10)	31.220.010	01	p1	10/2014
------	-----	------	------------	----	----	---------

VAR - 123782, 789101,987654 - PTO - D650

(11) (12) (13) (14)

REF	FN	PART NUMBER	YR/SN	QTY	DESCRIPTION
1	1	86529340	(20)	1	SHAFT PTO, Incl 2 - 11
2	(15)	84014007		1	YOKE, Incl 4 - 7 ← (7)
3	(16)	NSS		1	NOT SERVICED SEPARATELY, SHAFT, 350mm, Incl in 1
4		84004292		1	KIT, Seal Kit, Incl 6, 7 (17)
4		{84058743}		1	KIT, Seal Kit, Incl 6, 7
(2)	(18)	(19)		(21)	(22)
		1 = FOR ITALY ONLY ← (5)			

MODELS ← (1)

- 1 Model Number and Model Description
- 2 Reference - Figure call-out of the part number.
- 3 Parts supplied in repair kits per symbol reference.
- 4 31.220.020 Part illustrated on the **Page** or in the **Figure** indicated, or calls for **Variations** or **Details**. Indicates components shown in detail elsewhere in the catalogue under the figure number shown.
- 5 Footnote references
- 6 Figure notes
- 7 1 2 Includes item(s) ..... (See Description within partlist).
- 8 Orientation. (Arrow indicates front of the machine). 
- 9 Figure description.
- 10 General information of the figure.
- 11 Figure title number that aligns with the SRT. Standard Repair Time.
- 12 **Sequence** code within the assembly.
- 13 Page number within the sequence code.
- 14 **Date** of printing or updating of page (month-year).
- 15 **Note** - Relating to the Part Number. There is a key to symbols and abbreviations at the bottom of the text page.
- 16 Non-serviced parts.
- 17 Further description of the part to help confirm identification.
- 18 Not available as service part.
- 19 Part Number.
- 20 To be defined.
- 21 Total **Quantity** of the Part referred to in the page.  
The quantity can be replaced by the following indications:  
**AR** = quantity as requested.
- 22 Part **Description**.
- 23 Variant Codes

---

## TABLE OF CONTENTS

---

0.0040		VARIATION
0.0040/01		VARIATION
0.05.4	01	MAINTENANCE PARTS - FILTERS
05.100.03		FILTER & CAPACITIES, TN95VA
05.100.03		FILTERS & CAPACITIES, TN95VA
MAIN		MAIN SECTIONS
SEC. 01		ENGINE
SEC. 02		ENGINE EQUIP.
SEC. 03		TRANSMISSION
SEC. 04		FRONT AXLE
SEC. 05		REAR AXLE
SEC. 06		ELECTRICAL
SEC. 07		HYDRAULICS
SEC. 08		SHEET METAL SEC.
SEC. 09		LINKAGE
SEC. 10		DRIVER'S COMPARTMENT
SEC. 11		TRACTION
SEC. 13		DECALS
0.02.0		SEC. 01 - ENGINE
0.02.1		ENGINE
0.04.0		CRANKCASE AND CYLINDERS
0.04.2	01	OIL SUMP
0.04.2	02	OIL SUMP
0.04.3	01	COVERS & GASKETS
0.04.3	02	COVERS & GASKETS
0.06.0	01	CYLINDER HEAD
0.06.0	02	VALVES
0.07.1		INTAKE MANIFOLD
0.07.6		EXHAUST MANIFOLD
0.08.0		CRANKSHAFT
0.08.1		CONNECTING ROD
0.08.2		PISTON
0.08.3		FLYWHEEL
0.08.4		PULLEY AND HUB
0.10.0		DRIVE GEARS
0.10.5	01	DYNAMIC BALANCER, GEARS & SHAFTS

---

## TABLE OF CONTENTS

---

0.10.5	02	DYNAMIC BALANCER, GEARS & SHAFTS
0.12.0		CAMSHAFT
0.14.0	01	FUEL SYSTEM - INJECTION PUMP
0.14.0	02	FUEL SYSTEM - INJECTION PUMP
0.14.2		INJECTOR
0.20.0		FUEL FILTER
0.20.1		FUEL PUMP
0.20.3		FUEL SYSTEM
0.24.0		TURBOCHARGING
0.24.1		LINES
0.27.0		OIL LEVEL INDICATOR & FILL CAP
0.30.0		OIL PUMP
0.30.2		OIL FILTER
0.30.5		PIPING ENGINE OIL
0.31.0		OIL COOLER
0.32.0		WATER PUMP
0.32.3		WATER LINE
0.32.6		THERMOSTAT
0.34.7		FAN - L/CAB
0.34.7/01		FAN
0.34.7/02		(VAR.101-174) NOISE REDUCTION PACKAGE - FAN
0.35.0		BELT PULLEY DRIVE & COVER
0.36.0		STARTER MOTOR
0.40.0		ALTERNATOR MOUNTING
0.88.0		(VAR.577-608) AIR CONDITIONING/CONDITIONER -BOOSTER, PIPES AND RELEVANT PARTS
0.88.0/ A		(VAR.577-608) COMPRESSOR, AIR CONDITIONING - PARTS
1.09.0		SEC. 02 - ENGINE EQUIP.
1.10.0		THROTTLE CONTROL LINKAGE
1.14.0		FUEL TANK - FUEL LINES - THERMOSTARTER AUXILIARY DEVICE
1.15.0		MUFFLER
1.15.0/01		(VAR.938) VERTICAL MUFFLER - SIDEWALL AND GUARDS
1.17.0	01	RADIATOR - RADIATOR CONVEYOR
1.17.0	02	RADIATOR - RADIATOR CONVEYOR
1.17.1		COOLING EXPANSION TANK
1.17.2		RADIATOR HOSES - L/CAB
1.17.2/01		RADIATOR HOSES - W/CAB

---

## TABLE OF CONTENTS

---

1.19.1		DRY AIR CLEANER
1.19.7		AIR CLEANER PIPING
1.20.0		SEC. 03 - TRANSMISSION
1.21.0	01	TRACTOR BODY
1.21.0	02	TRACTOR BODY
1.21.0	03	TRACTOR BODY
1.21.1		2WD SUPPORT
1.21.1/01		4WD FRONT AXLE SUPPORT
1.25.0	01	CLUTCH - C5949
1.25.0	01A	CLUTCH - D5949
1.25.0/ A		CLUTCH - BREAKDOWN - C5949
1.25.0/01		(VAR.271) HI-LO - CLUTCH
1.25.0/02		(VAR.297) HI-LO NA - CLUTCH
1.26.2	01	LEVERS AND TIEROD
1.26.2	02	LEVERS AND TIEROD
1.26.5	01	PTO ENGAGEMENT CLUTCH
1.26.5	02	PTO ENGAGEMENT CLUTCH
1.26.5	03	PTO ENGAGEMENT CLUTCH
1.26.5/ A		PTO CLUTCH CONTROL ACTUATOR CYLINDER - BREAKDOWN
1.27.3	01	(VAR.271) HI-LO - CLUTCH ENGAGEMENT, SOLENOID VALVES
1.27.3	02	(VAR.271) HI-LO - CLUTCH ENGAGEMENT, COVER MIT PLUGS
1.27.3	03	(VAR.271) HI-LO - CLUTCH ENGAGEMENT, PIPES
1.27.3	04	(VAR.271) HI-LO - CLUTCH ENGAGEMENT, ACCUMULATOR, PARTS
1.27.3	05	(VAR.271) HI-LO - CLUTCH ENGAGEMENT, MANIFOLD
1.27.3/01	01	(VAR.297) HI-LO NA - CLUTCH ENGAGEMENT, SOLENOID VALVES
1.27.3/01	02	(VAR.297) HI-LO NA - CLUTCH ENGAGEMENT, COVER MIT PLUGS
1.27.3/01	03	(VAR.297) HI-LO NA - CLUTCH ENGAGEMENT, PIPES
1.27.3/01	04	(VAR.297) HI-LO NA - CLUTCH ENGAGEMENT, ACCUMULATOR, PARTS
1.27.3/01	05	(VAR.297) HI-LO NA - CLUTCH ENGAGEMENT, MANIFOLD
1.27.7	01	(VAR.271) HI-LO - HEAT EXCHANGER, RADIATOR AND FASTENING FRAME
1.27.7/01		(VAR.297) HI-LO NA - HEAT EXCHANGER, RADIATOR AND FASTENING FRAME
1.27.7/02		(VAR.826) HYDRAULIC PUMP 16.9 GPM (65L) W/OIL COOLER - COOLER AND FASTENING FRAME
1.28.1	01	TRANSMISSION GEARS
1.28.1	02	TRANSMISSION GEARS
1.28.1	03	TRANSMISSION GEARS
1.28.1	04	TRANSMISSION GEARS

---

## TABLE OF CONTENTS

---

1.28.1/01		(VAR.111/1) CREEPER TRANSMISSION 28X16 (30KM/H) - CLUTCH SHAFT
1.28.1/02		(VAR.117) CREEPER TRANSMISSION FOR HI-LO - GEAR, ROD AND FORK
1.28.1/03		(VAR.118) SPLITTER 32X16 (30KM/H) - CLUTCH SHAFT, GEARS AND SYNCH.
1.28.1/04	01	(VAR.271) HI-LO - TRANSMISSION GEARS, CLUTCH SHAFT AND GEARS
1.28.1/04	02	(VAR.271) HI-LO - TRANSMISSION GEARS, DRIVE GEAR SHAFT
1.28.1/04	03	(VAR.271) HI-LO - TRANSMISSION GEARS, DRIVE GEAR SHAFT
1.28.1/04	04	(VAR.271) HI-LO - TRANSMISSION GEARS, DRIVE GEAR SHAFT
1.28.1/05	01	(VAR.297) HI-LO NA - TRANSMISSION GEARS, CLUTCH SHAFT AND GEARS
1.28.1/05	02	(VAR.297) HI-LO NA - TRANSMISSION GEARS, DRIVE GEAR SHAFT
1.28.1/05	03	(VAR.297) HI-LO NA - TRANSMISSION GEARS, DRIVE GEAR SHAFT
1.28.1/05	04	(VAR.297) HI-LO NA - TRANSMISSION GEARS, DRIVE GEAR SHAFT
1.28.7		(VAR.117) HI-LO ADDITIONAL REDUCTION GEAR - GEARBOX HYDRAULIC CONTROL.
1.28.7/01	01	(VAR.271) HI-LO HYDRAULIC CONTROL OF GEARBOX, CLUTCH COVER PLATE AND LID
1.28.7/01	02	(VAR.271) HI-LO HYDRAULIC CONTROL OF GEARBOX, CLUTCH DISCS
1.28.7/01	03	(VAR.271) HI-LO HYDRAULIC CONTROL OF GEARBOX, CLUTCH DISCS
1.28.7/01	04	(VAR.271) HI-LO HYDRAULIC CONTROL OF GEARBOX, DRIVE GEAR SHAFT
1.28.7/01	05	(VAR.271) HI-LO HYDRAULIC CONTROL OF GEARBOX, DRIVEN GEAR
1.28.7/02	01	(VAR.297) HI-LO NA - HYDRAULIC CONTROL OF GEARBOX, CLUTCH COVER PLATE AND LID
1.28.7/02	02	(VAR.297) HI-LO NA - HYDRAULIC CONTROL OF GEARBOX, CLUTCH DISCS
1.28.7/02	03	(VAR.297) HI-LO NA - HYDRAULIC CONTROL OF GEARBOX, CLUTCH DISCS
1.28.7/02	04	(VAR.297) HI-LO NA - HYDRAULIC CONTROL OF GEARBOX, DRIVE GEAR SHAFT
1.28.7/02	05	(VAR.297) HI-LO NA - HYDRAULIC CONTROL OF GEARBOX, DRIVEN GEAR
1.28.8	01	GEAR LUBRICATION SYSTEM
1.28.8	02	GEAR LUBRICATION SYSTEM
1.28.8/01	01	(VAR.271) HI-LO - GEAR LUBRICATION SYSTEM, OIL FILTER, CONNECTIONS AND PIPES
1.28.8/01	02	(VAR.271) HI-LO - GEAR LUBRICATION SYSTEM, UNIONS AND PIPES
1.28.8/02	01	(VAR.297) HI-LO NA - GEAR LUBRICATION SYSTEM, OIL FILTER, CONNECTIONS AND PIPES
1.28.8/02	02	(VAR.297) HI-LO NA - GEAR LUBRICATION SYSTEM, UNIONS AND PIPES
1.28.8/03		(VAR.832) ELECTRONIC LIFT (OPEN CENTER) - GEAR LUBRICATION SYSTEM, PIPES AND OIL FILTER
1.29.0		TRANSMISSION INTERNAL SHIFTING CONTROLS
1.29.0/01		(VAR.118) SPLITTER 32X16 (30KM/H) - FORK, ROD AND PAWL.
1.29.1	01	TRANSMISSION EXTERNAL SHIFTING CONTROLS
1.29.1	02	TRANSMISSION EXTERNAL SHIFTING CONTROLS
1.29.1/01		(VAR.007) NA PACKAGE - TRANSMISSION EXTERNAL SHIFTING CONTROLS
1.29.1/02		(VAR.111/1) CREEPER TRANSMISSION 28X16 - BRACKET, HUB AND LEVER
1.29.1/03		(VAR.118) SPLITTER 32X16 (30KM/H) - BRACKET, HUB AND LEVER

---

**TABLE OF CONTENTS**

---

1.29.1/04	01	(VAR.271) HI-LO - TRANSMISSION, INTERNAL SHIFTING CONTROLS, ROD AND FORK
1.29.1/04	02	(VAR.271) HI-LO - TRANSMISSION, SHIFTING CONTROLS, LEVER, HOOD AND KNOB
1.29.1/05	01	(VAR.297) HI-LO NA - TRANSMISSION, INTERNAL SHIFTING CONTROLS, ROD AND FORK
1.29.1/05	02	(VAR.297) HI-LO NA - TRANSMISSION, TRANSMISSION SHIFTING CONTROLS, LEVER, HOOD AND KNOB
1.32.0		CASINGS, COVERS AND SUPPORTS - C5489
1.32.1	01	CENTRAL REDUCTION GEARS
1.32.1	02	CENTRAL REDUCTION GEARS
1.32.1/01		(VAR.346) RING GEAR AND PINION 30KM/H, 2WD FOR 20" TYRES - RING GEAR AND PINION
1.32.1/02		(VAR.320-320/1) HIGH SPEED RING GEAR AND PINION 40KM/H, 4WD - HIGH SPEED RING GEAR AND PINION
1.32.1/03		(VAR.321-321/1) HIGH SPEED RING GEAR AND PINION 40 KM/H, 4WD FOR 20" TYRES - RING GEAR AND PINION
1.32.2	01	CENTRAL REDUCTION GEAR CONTROLS
1.32.2	02	CENTRAL REDUCTION GEARS CONTROLS
1.32.3		(VAR.111) CREEPER TRANSMISSION FOR SPLITTER 44X16 - DRIVEN GEAR
1.32.4	01	DIFFERENTIAL GEARS - C5489
1.32.4	01A	DIFFERENTIAL GEARS - D5489
1.32.8		4WD HYDRAULIC DIFF. LOCK CONTROL -FRONT AXLE
1.32.8/01		((VAR.320) RING GEAR AND PINION 40 KM/H, 4WD WITH FRONT BRAKE - PIPES
1.32.8/02		(VAR.321) HIGH SPEED RING GEAR AND PINION 40KM/H, 4WD WITH FRONT BRAKE FOR 20" TYRES - PIPES
1.32.8/03		(VAR.326) RING GEAR AND PINION 30KM/H, 4WD WITH FRONT BRAKE - PIPES
1.38.5/ A		4WD PROPELLER SHAFT- BREAKDOWN
1.32.9		SEC. 04 - FRONT AXLE
1.33.0	01	4WD IDLER CASE & COVERS
1.33.0	02	4WD IDLER GEARS
1.33.0	03	4WD IDLER GEARS
1.33.0	04	4WD IDLER GEARS
1.33.2	01	IDLER CONTROLS
1.33.2	02	IDLER CONTROLS
1.34.2		REVERSER CONTROL
1.34.2/01		(VAR.117) CREEPER TRANSMISSION FOR HI-LO - LEVER AND BELLOWS
1.38.5		4WD PROPELLER SHAFT
1.40.0		4WD FRONT AXLE
1.40.0/01		4WD FRONT AXLE - HOUSING
1.40.0/02	01	4WD FRONT AXLE - STEERING KNUCKLE - C5111
1.40.0/02	02	4WD FRONT AXLE - STEERING KNUCKLE - C5111
1.40.0/02	03	4WD FRONT AXLE - STEERING KNUCKLE - C5111



---

**TABLE OF CONTENTS**

---

1.40.0/02	04	4WD FRONT AXLE - STEERING KNUCKLE - D5111
1.40.0/02	05	4WD FRONT AXLE - STEERING KNUCKLE - D5111
1.40.0/02	06	4WD FRONT AXLE - STEERING KNUCKLE - D5111
1.40.0/06		4WD FRONT AXLE - BEVEL GEAR/PINION SET
1.40.0/07		4WD FRONT AXLE - DIFFERENTIAL
1.40.0/08		4WD FRONT AXLE- DIFFERENTIAL LOCK CONTROL
1.40.0/10		4WD FRONT AXLE - DIFFERENTIAL GEARS AND SHAFT
1.40.0/12		4WD FRONT AXLE - HYDRAULIC STEERING CYLINDER
1.40.2	01	(VAR.320) HIGH SPEED RING GEAR AND PINION 40KM/H, 4WD WITH FRONT BRAKE - BOX AND PIPES
1.40.2	02	(VAR.320/1) HIGH SPEED RING GEAR AND PINION 40KM/H, 4WD LESS FRONT BRAKE - BOX AND PIPES
1.40.2/01	01	(VAR.320) HIGH SPEED RING GEAR AND PINION 40KM/H, 4WD W/FRONT BRAKES - FRONT AXLE AND PARTS - C5111
1.40.2/01	01A	(VAR.320) HIGH SPEED RING GEAR AND PINION 40KM/H, 4WD W/FRONT BRAKES - FRONT AXLE AND PARTS - D5111
1.40.2/06		(VAR.320-320/1) HIGH SPEED RING GEAR AND PINION 40KM/H, 4WD - HIGH SPEED RING GEAR AND PINION
1.40.2/07		(VAR.320) HIGH SPEED RING GEAR AND PINION 40KM/H, 4WD WITH FRONT BRAKES - DIFFERENTIAL
1.40.2/08		(VAR.320) RING GEAR AND PINION 40 KM/H, 4WD WITH FRONT BRAKE - ROD AND FORK
1.40.2/10	01	(VAR.320) HIGH SPEED RING GEAR AND PINION 40KM/H, 4WD W/FRONT BRAKES - AXLE SHAFT
1.40.2/10	02	(VAR.320) HIGH SPEED RING GEAR AND PINION 40 KM/H, 4WD WITH FRONT BRAKE - BRAKE DISCS
1.40.2/12		(VAR.320) HIGH SPEED RING GEAR AND PINION 40KM/H, 4WD W/FRONT BRAKES - JACK, PARTS
1.40.2/13		(VAR.320) HIGH SPEED RING GEAR AND PINION 40KM/, 4WD W/FRONT BRAKES - PIPES
1.40.3	01	(VAR.321) HIGH SPEED RING GEAR AND PINION 40KM/H, 4WD WITH FRONT BRAKE FOR 20" TYRES- BOX AND PIPES
1.40.3	02	(VAR.321/1) HIGH SPEED RING GEAR AND PINION 40KM/H, 4WD LESS FRONT BRAKE FOR 20" TYRES- BOX AND PIPE
1.40.3/01	01	(VAR.321) HIGH SPEED RING GEAR & PINION 40KM/H,4WD,FRONT BRAKE FOR 20"TYR.-FRONT AXLE & PARTS-C5111
1.40.3/01	01A	(VAR.321) HIGH SPEED RING GEAR & PINION 40KM/H,4WD,FRONT BRAKE FOR 20"TYR.-FRONT AXLE & PARTS-D5111
1.40.3/06		(VAR.321-321/1) HIGH SPEED RING GEAR AND PINION 40 KM/H, 4WD FOR 20" TYRES - RING GEAR AND PINION
1.40.3/07		(VAR.321) HIGH SPEED RING GEAR AND PINION 40KM/H, 4WD WITH FRONT BRAKE FOR 20" TYRES - DIFFERENTIAL
1.40.3/08		(VAR.321) HIGH SPEED RING GEAR AND PINION 40KM/H, 4WD WITH FRONT BRAKE FOR 20" TYRES - ROD AND FORK
1.40.3/10	01	(VAR.321) HIGH SPEED RING GEAR AND PINION 40KM/H, 4WD WITH FRONT BRAKE FOR 20" TYRES - AXLE SHAFT
1.40.3/10	02	(VAR.321) HIGH SPEED RING GEAR AND PINION 40KM/H, 4WD WITH FRONT BRAKE FOR 20" - BRAKE DISCS
1.40.3/11		(VAR.321) HIGH SPEED RING GEAR AND PINION 40 KM/H, 4WD WITH FRONT BRAKE FOR 20" TYRES - PIPES
1.40.3/12		(VAR.321) HIGH SPEED RING GEAR AND PINION 40 KM/H, 4WD WITH FRONT BRAKE FOR 20" TYRES - JACK, PARTS
1.40.4		(VAR.326) RING GEAR AND PINION 30KM/H, 4WD WITH FRONT BRAKE - BOX AND PIPES
1.40.4/01	01	(VAR.326) RING GEAR AND PINION 30KM/H, 4WD WITH FRONT BRAKE - FRONT AXLE AND PARTS - C5111
1.40.4/01	01A	(VAR.326) RING GEAR AND PINION 30KM/H, 4WD WITH FRONT BRAKE - FRONT AXLE AND PARTS - D5111

---

## TABLE OF CONTENTS

---

1.40.4/07		(VAR.326) RING GEAR AND PINION 30KM/H, 4WD WITH FRONT BRAKE - DIFFERENTIAL
1.40.4/08		(VAR.326) RING GEAR AND PINION 30KM/H, 4WD WITH FRONT BRAKE - ROD AND FORK
1.40.4/10	01	(VAR.326) RING GEAR AND PINION 30KM/H, 4WD WITH FRONT BRAKE - AXLE SHAFT
1.40.4/10	02	(VAR.326) RING GEAR AND PINION 30KM/H, 4WD WITH FRONT BRAKE - BRAKE DISCS
1.40.4/12		(VAR.326) RING GEAR AND PINION 30KM/H, 4WD WITH FRONT BRAKE - JACK, PARTS
1.40.4/13		(VAR.326) RING GEAR AND PINION 30KM/H, 4WD WITH FRONT BRAKE - PIPES
1.41.0	01	2WD FRONT AXLE
1.41.0	02	2WD FRONT AXLE - STEERING KNUCKLE - HUB
1.41.0	03	2WD FRONT AXLE - STEERING KNUCKLE - HUB
1.41.0	04	2WD FRONT AXLE - STEERING KNUCKLE - HUB
1.41.0/ A		2WD FRONT AXLE - HYDRAULIC STEERING CYLINDER - BREAKDOWN
1.42.0	01	SERVO - ASSISTED STEERING HYDRAULIC SYSTEM
1.42.0	02	SERVO - ASSISTED STEERING HYDRAULIC SYSTEM
1.42.0/02		(VAR.271) HI-LO - SERVO-ASSISTED STEERING HYDRAULIC SYSTEM, OIL PUMP AND PIPES
1.42.0/03		(VAR.297) HI-LO NA SERVO-ASSISTED STEERING HYDRAULIC SYSTEM, OIL PUMP AND PIPES
1.43.0	01	(VAR.860) 2WD FRONT MUDGUARDS
1.43.0/01	01	(VAR.860) 4WD FRONT MUDGUARDS
1.44.0		(VAR.218-225-226) FRONT WEIGHT & SUPPORT
1.47.0		SEC. 05 - REAR AXLE
1.48.1	01	FINAL DRIVE, GEARS AND SHAFTS
1.48.1	02	FINAL DRIVE, GEARS AND SHAFTS
1.48.1	03	FINAL DRIVE, GEARS AND SHAFTS
1.48.1/01		(VAR.346) RING GEAR AND PINION 30KM/H, 2WD FOR 20" TYRES - BOX AND REDUCTION GEAR
1.65.3		PARKING BRAKE SYSTEM
1.65.5		PARKING BRAKE
1.67.2		HANDBRAKE CONTROL
1.68.2		BRAKING SYSTEM TANK
1.68.5		BRAKE PIPING
1.68.5/01		(VAR.320) RING GEAR AND PINION 40KM/H, 4WD WITH FRONT BRAKE - PIPES
1.68.5/02		(VAR.321) HIGH SPEED RING GEAR AND PINION 40 KM/H, 4WD WITH FRONT BRAKE FOR 20" TYRES - PIPES
1.68.5/03		(VAR.326) RING GEAR AND PINION 30KM/H, 4WD WITH FRONT BRAKE - PIPES
1.74.0		SEC. 06 - ELECTRICAL
1.74.3		BATTERY MOUNTING - L/CAB
1.74.3/01		BATTERY MOUNTING - W/CAB
1.75.0		ELECTRIC CONTROLS
1.75.0/01		(VAR.271) HI-LO - ELECTRIC CONTROLS, POWER - SHUTTLE CONTROL LEVER

---

## TABLE OF CONTENTS

---

1.75.0/02		(VAR.297) HI-LO NA - ELECTRIC CONTROLS, POWER-SHUTTLE CONTROL LEVER
1.75.1		HORN ASSEMBLY
1.75.1/01		(VAR.271) HI-LO - ELECTRIC CONTROLS, SWITCHES, MEASURING DEVICE AND RELAYS
1.75.1/02		(VAR.297) HI-LO NA - ELECTRIC CONTROLS, SWITCHES, MEASURING DEVICE AND RELAYS
1.75.3		BATTERY CABLES
1.75.4	01	AUXILIARY CABLES - L/CAB
1.75.4	02	AUXILIARY CABLES - L/CAB
1.75.4	03	AUXILIARY CABLES - L/CAB
1.75.4/ A		MAIN CABLE - FUSE AND RELAIS HOLDER - BREAKDOWN
1.75.4/01	01	AUXILIARY CABLES - W/CAB
1.75.4/01	02	AUXILIARY CABLES - W/CAB
1.75.4/01	03	AUXILIARY CABLES - W/CAB
1.75.4/01	04	CAB CABLE WITH HEATER - W/CAB
1.75.4/02		(VAR.007) NA PACKAGE - AUXILIARI CABLES
1.75.4/03	01	(VAR.271) HI-LO - AUXILIARY CABLES
1.75.4/03	02	(VAR.271) HI-LO - VARIOUS WIRING
1.75.4/04		(VAR.297) HI-LO NA - VARIOUS WIRING
1.75.4/05		(VAR.608) AIR CONDITIONING/CONDITIONER - ELECTRIC SYSTEM, CABLES
1.75.6	01	FRONT HEADLAMPS
1.75.6	02	LIGHTING COMPONENTS - W/CAB
1.75.6/01		(VAR.007) NA PACKAGE- RETROREFLECTOR SUPPORT
1.75.6/02		(VAR.938) VERTICAL MUFFLER - LIGHTING COMPONENTS
1.80.0		SEC. 07 - HYDRAULICS
1.80.1	01	POWER TAKE - OFF (540 RPM)
1.80.1	02	POWER TAKE - OFF (540 RPM)
1.80.1/01	01	(VAR.804) SYNCHRO MESH GEARED POWER TAKE-OFF (540-540E RPM) - SHAFTS AND GEARS
1.80.1/01	02	(VAR.804) SYNCHRO MESH GEARED POWER TAKE-OFF (540-540E RPM) - COUPLING
1.80.1/01	03	(VAR.804) SYNCHRO MESH GEARED POWER TAKE-OFF (540-540E RPM) - LEVER AND FORK
1.80.1/01	04	(VAR.804) SYNCHRO MESH GEARED POWER TAKE-OFF (540-540E RPM) - COUPLING LEVER
1.80.1/02	01	(VAR.807) SYNCHRO MESH GEARED POWER TAKE-OFF (540 RPM) - SHAFTS AND GEARS
1.80.1/02	02	(VAR.807) SYNCHRO MESH GEARED POWER TAKE-OFF (540 RPM) - COUPLING
1.80.1/02	03	(VAR.807) SYNCHRO MESH GEARED POWER TAKE-OFF (540 RPM) - COUPLING LEVER
1.80.1/03	01	(VAR.817) SYNCHRO MESH GEARED POWER TAKE-OFF (540-540E-1000 RPM) - SHAFTS AND GEARS
1.80.1/03	02	(VAR.817) SYNCHRO MESH GEARED POWER TAKE-OFF (540-540E-1000 RPM) - SHAFTS AND GEARS
1.80.1/03	03	(VAR.817) SYNCHRO MESH GEARED POWER TAKE-OFF (540-540E-1000 RPM) - LEVER AND FORKS
1.80.1/03	04	(VAR.817) SYNCHRO MESH GEARED POWER TAKE-OFF (540-540E-1000 RPM) - COUPLING

---

## TABLE OF CONTENTS

---

1.80.1/03	05	(VAR.817) SYNCHRO MESH GEARED POWER TAKE-OFF (540-540E-1000 RPM) - COUPLING LEVER
1.80.1/04	01	(VAR.818) POWER TAKE-OFF (540-540E) - SHAFTS AND GEARS
1.80.1/04	02	(VAR.818) POWER TAKE-OFF (540-540E) - LEVER AND FORK
1.80.1/05	01	(VAR.959) NA POWER TAKE-OFF (540-1000 RPM) - SHAFTS AND GEARS
1.80.1/05	02	(VAR.959) NA POWER TAKE-OFF (540-1000 RPM) - SHAFTS AND GEARS
1.80.1/05	03	(VAR.959) NA POWER TAKE-OFF (540-1000 RPM) - COUPLING
1.80.1/08	01	(VAR.020) POWER TAKE-OFF 540/540E RPM WITH GROUND SPEED FOR ADIC - SHAFTS AND GEARS
1.80.1/08	02	(VAR.020) POWER TAKE-OFF 540/540E RPM WITH GROUND SPEED FOR ADIC-SHAFTS AND GEARS
1.80.1/08	03	(VAR.020) POWER TAKE-OFF 540/540E RPM WITH GROUND SPEED FOR ADIC - COVER AND SHAFT
1.80.1/08	04	(VAR.020) POWER TAKE-OFF 540/540E RPM WITH GROUND SPEED FOR ADIC - LEVER AND FORK
1.80.1/08	05	(VAR.020) POWER TAKE-OFF 540/540E RPM WITH GROUND SPEED FOR ADIC - COUPLING
1.80.1/08	06	(VAR.020) POWER TAKE-OFF 540/540E RPM WITH GROUND SPEED FOR ADIC - COUPLING LEVER
1.82.0		LIFTER, HOUSING AND COVERS
1.82.0/01		(VAR.821-832) ELECTRONIC LIFT (OPEN CENTER) - HOUSING AND COVERS
1.82.1	01	LIFTER, LINES
1.82.1	02	LIFTER, LINES
1.82.1	03	LIFTER, LINES
1.82.1	04	LIFTER, LINES
1.82.1/01		(VAR.821-832) ELECTRONIC LIFT (OPEN CENTER) - PIPES
1.82.3		LIFTER PUMP
1.82.3/01		(VAR.271) HI-LO - LIFTER PUMP
1.82.3/02		(VAR.297) HI-LO NA - LIFTER PUMP
1.82.3/03		(VAR.826) HYDRAULIC PUMP 16.9 GPM (65L) W/OIL COOLER
1.82.4	01	LIFTER, DISTRIBUTOR AND VALVES
1.82.4	02	LIFTER, DISTRIBUTOR AND VALVES
1.82.4	03	LIFTER, DISTRIBUTOR AND VALVES
1.82.4	04	LIFTER, DISTRIBUTOR AND VALVES
1.82.4/01		(VAR.821-832) ELECTRONIC LIFTER (OPEN CENTER) - VALVE AND COMPONENTS
1.82.4/01A		(VAR.821-832) ELECTRONIC LIFT (OPEN CENTER) - VALVE - BREAKDOWN
1.82.5	01	LIFT CONTROL
1.82.5	02	LIFT CONTROL
1.82.5	03	LIFT CONTROL
1.82.5	04	LIFT CONTROL
1.82.5	05	LIFT CONTROL
1.82.5	06	LIFT CONTROL
1.82.5/01		(VAR.821-832) ELECTRONIC LIFT (OPEN CENTER) - LIFT CONTROL

---

**TABLE OF CONTENTS**

---

1.82.6		<b>CYLINDERS AND PISTONS</b>
1.82.7	01	<b>EXTRA EXTERNAL CONTROL VALVES AND PIPES - C5484</b>
1.82.7	02	<b>EXTRA EXTERNAL CONTROL VALVES AND PIPES - C5484</b>
1.82.7	03	<b>EXTRA EXTERNAL CONTROL VALVES AND PIPES - C5484</b>
1.82.7	04	<b>EXTRA EXTERNAL CONTROL VALVES AND PIPES - D5484</b>
1.82.7	05	<b>EXTRA EXTERNAL CONTROL VALVES AND PIPES - D5454</b>
1.82.7	06	<b>EXTRA EXTERNAL CONTROL VALVES AND PIPES - D5484</b>
1.82.7/ A	01	<b>DOUBLE - ACTING EXTERNAL CONTROL VALVE WITH FLOAT AND AUTOMATIC CUTOUT - BREAKDOWN - C5484</b>
1.82.7/ A	02	<b>DOUBLE - ACTING EXTERNAL CONTROL VALVE WITH FLOAT AND AUTOMATIC CUTOUT - BREAKDOWN - C5484</b>
1.82.7/ A	03	<b>DOUBLE - ACTING EXTERNAL CONTROL VALVE WITH FLOAT AND AUTOMATIC CUTOUT - BREAKDOWN - C5484</b>
1.82.7/ B	01	<b>SIMPLE DOUBLE EFFECT DISTRIBUTOR - BREAKDOWN - C5484</b>
1.82.7/ B	02	<b>SIMPLE DOUBLE EFFECT DISTRIBUTOR - BREAKDOWN - C5484</b>
1.82.7/ C	01	<b>DOUBLE - ACTING EXTERNAL CONTROL VALVE WITH FLOAT AND AUTOMATIC CUTOUT - BREAKDOWN - D5484</b>
1.82.7/ C	02	<b>DOUBLE - ACTING EXTERNAL CONTROL VALVE WITH FLOAT AND AUTOMATIC CUTOUT - BREAKDOWN - D5484</b>
1.82.7/ C	03	<b>DOUBLE - ACTING EXTERNAL CONTROL VALVE WITH FLOAT AND AUTOMATIC CUTOUT - BREAKDOWN - D5484</b>
1.82.7/ D	01	<b>SIMPLE DOUBLE EFFECT DISTRIBUTOR - BREAKDOWN - D5484</b>
1.82.7/ D	02	<b>SIMPLE DOUBLE EFFECT DISTRIBUTOR - BREAKDOWN - D5484</b>
1.82.7/01	01	<b>(VAR.821-832) ELECTRONIC LIFT (OPEN CENTER) - EXTRA EXTERNAL CONTROL VALVE AND PIPES, RINGS AND FORK - C5484</b>
1.82.7/01	02	<b>(VAR.821-832) ELECTRONIC LIFT (OPEN CENTER) - EXTRA EXTERNAL CONTROL VALVE AND PIPES, FLANGES - C5484</b>
1.82.7/01	03	<b>(VAR.821-832) ELECTRONIC LIFT (OPEN CENTER) - EXTRA EXTERNAL CONTROL VALVE AND PIPES, QUICKCOUPLINGS - C5484</b>
1.82.7/01	04	<b>(VAR.821-832) ELECTRONIC LIFT (OPEN CENTER) - EXTRA EXTERNAL CONTROL VALVE AND PIPES, RINGS AND FORK - D5484</b>
1.82.7/01	05	<b>(VAR.821-832) ELECTRONIC LIFT (OPEN CENTER) - EXTRA EXTERNAL CONTROL VALVE AND PIPES, FLANGES - D5484</b>
1.82.7/01	06	<b>(VAR.821-832) ELECTRONIC LIFT (OPEN CENTER) - EXTRA EXTERNAL CONTROL VALVE AND PIPES, QUICKCOUPLINGS - D5484</b>
1.82.7/02	01	<b>(VAR.390-498/2) THREE REMOTE VALVES &amp; FLOW-RATE REGULATOR - VALVE AND FLANGE - C5484</b>
1.82.7/02	02	<b>(VAR.390-498/2) THREE REMOTE VALVES &amp; FLOW-RATE REGULATOR - PIPES AND RINGS - C5484</b>
1.82.7/02	03	<b>(VAR.390-498/2) THREE REMOTE VALVES &amp; FLOW-RATE REGULATOR - PIPES AND QUICK COUPLING - C5484</b>
1.82.7/02	04	<b>(VAR.390-498/2) THREE REMOTE VALVES &amp; FLOW-RATE REGULATOR - VALVE AND FLANGE - D5484</b>
1.82.7/02	05	<b>(VAR.390-498/2) THREE REMOTE VALVES &amp; FLOW-RATE REGULATOR - PIPES AND RINGS - D5484</b>
1.82.7/02	06	<b>(VAR.390-498/2) THREE REMOTE VALVES &amp; FLOW-RATE REGULATOR - PIPES AND QUICK COUPLING - D5484</b>
1.82.7/02A	01	<b>SIMPLE/DOUBLE-ACTING CONTROL VALVE WITH FLOAT COMMUTATION - BREAKDOWN - C5484</b>
1.82.7/02A	02	<b>SIMPLE/DOUBLE-ACTING CONTROL VALVE WITH FLOAT COMMUTATION - BREAKDOWN - C5484</b>
1.82.7/02B	01	<b>DOUBLE-ACTING EXTERNAL CONTROL VALVE WITH FLOAT AND AUTOMATIC CUTOUT - BREAKDOWN - C5484</b>
1.82.7/02B	02	<b>DOUBLE-ACTING EXTERNAL CONTROL VALVE WITH FLOAT AND AUTOMATIC CUTOUT - BREAKDOWN - C5484</b>

---

TABLE OF CONTENTS

---

1.82.7/02B	03	DOUBLE-ACTING EXTERNAL CONTROL VALVE WITH FLOAT AND AUTOMATIC CUTOUT - BREAKDOWN - C5484
1.82.7/02C		FLOW-RATE REGULATOR - BREAKDOWN - C5484
1.82.7/02D	01	SIMPLE/DOUBLE-ACTING CONTROL VALVE WITH FLOAT COMMUTATION - BREAKDOWN - D5484
1.82.7/02D	02	SIMPLE/DOUBLE-ACTING CONTROL VALVE WITH FLOAT COMMUTATION - BREAKDOWN - D5484
1.82.7/02E	01	DOUBLE-ACTING EXTERNAL CONTROL VALVE WITH FLOAT AND AUTOMATIC CUTOUT - BREAKDOWN - D5484
1.82.7/02E	02	DOUBLE-ACTING EXTERNAL CONTROL VALVE WITH FLOAT AND AUTOMATIC CUTOUT - BREAKDOWN - D5484
1.82.7/02E	03	DOUBLE-ACTING EXTERNAL CONTROL VALVE WITH FLOAT AND AUTOMATIC CUTOUT - BREAKDOWN - D5484
1.82.7/02F		FLOW-RATE REGULATOR - BREAKDOWN - D5484
1.82.7/03	01	(VAR.390/1-399-498-498/1) 3 REM VALVES W/FLOW-RATE REG. AND HYD. DIVIDER - REMOTE VALVES - C5484
1.82.7/03	02	(VAR.390/1-399-498-498/1) 3 REM VALVES W/FLOW-RATE REG. AND HYD. DIVIDER - PIPES AND RINGS - C5484
1.82.7/03	03	(VAR.390/1-399-498-498/1) 3 REM VALVES W/FLOW-RATE REG. AND HYD. DIVIDER - QUICK COUPLINGS - C5484
1.82.7/03	04	(VAR.390/1-399-498-498/1) 3 REM VALVES W/FLOW-RATE REG. AND HYD. DIVIDER - PIPES - C5484
1.82.7/03	05	(VAR.390/1-399-498-498/1) 3 REM VALVES W/FLOW-RATE REG. AND HYD. DIVIDER - REMOTE VALVES - D5484
1.82.7/03	06	(VAR.390/1-399-498-498/1) 3 REM VALVES W/FLOW-RATE REG. AND HYD. DIVIDER - PIPES AND RINGS - D5484
1.82.7/03	07	(VAR.390/1-399-498-498/1) 3 REM VALVES W/FLOW-RATE REG. AND HYD. DIVIDER - QUICK COUPLINGS - D5484
1.82.7/03	08	(VAR.390/1-399-498-498/1) 3 REM VALVES W/FLOW-RATE REG. AND HYD. DIVIDER - PIPES - D5484
1.82.7/04	01	(VAR.419) THREE REMOTE VALVES FOR ELECTRONIC LIFT - VALVE AND FLANGE - C5484
1.82.7/04	02	(VAR.419) THREE REMOTE VALVES FOR ELECTRONIC LIFT - PIPES - C5484
1.82.7/04	03	(VAR.419) THREE REMOTE VALVES FOR ELECTRONIC LIFT - VALVE AND FLANGE - D5484
1.82.7/04	04	(VAR.419) THREE REMOTE VALVES FOR ELECTRONIC LIFT - PIPES - D5484
1.82.7/05	01	(VAR.419/1) 3 REM. VALVES FOR ELECTRONIC LIFTER W/HYDRAULIC DIVIDER - VALVE AND FLANGE - C5484
1.82.7/05	02	(VAR.419/1) 3 REMOTE VALVES FOR ELECTRONIC LIFTER W/HYD. DIVIDER - PIPES - C5484
1.82.7/05	03	(VAR.419/1) 3 REMOTE VALVES FOR ELECTRONIC LIFTER W/HYD. DIVIDER - PIPES - C5484
1.82.7/05	04	(VAR.419/1) 3 REMOTE VALVES FOR ELECTRONIC LIFTER W/HYD. DIVIDER - PIPES AND RINGS - C5484
1.82.7/05	05	(VAR.419/1) 3 REM. VALVES FOR ELECTRONIC LIFTER W/HYDRAULIC DIVIDER - QUICK COUPLINGS - C5484
1.82.7/05	06	(VAR.419/1) 3 REM. VALVES FOR ELECTRONIC LIFTER W/HYDRAULIC DIVIDER - VALVE AND FLANGE - D5484
1.82.7/05	07	(VAR.419/1) 3 REMOTE VALVES FOR ELECTRONIC LIFTER W/HYD. DIVIDER - PIPES - D5484
1.82.7/05	08	(VAR.419/1) 3 REMOTE VALVES FOR ELECTRONIC LIFTER W/HYD. DIVIDER - PIPES - D5484
1.82.7/05	09	(VAR.419/1) 3 REMOTE VALVES FOR ELECTRONIC LIFTER W/HYD. DIVIDER - PIPES AND RINGS - D5484
1.82.7/05	10	(VAR.419/1) 3 REM. VALVES FOR ELECTRONIC LIFTER W/HYDRAULIC DIVIDER - QUICK COUPLINGS - D5484
1.82.7/06		(VAR.730) RAPID COUPLING DELUXE
1.82.7/07		(VAR.082-083-567-572) HIDRAULIK STABILISERS WITH "CEE" HOOK FOR MDC AND EDC - QUICK COUPLING
1.82.7/08	01	(VAR.541) L/REMOTE VALVES FOR ELECTRONIC LIFT - CONTROL VALVE, RINGS - C5484

---

## TABLE OF CONTENTS

---

1.82.7/08	02	(VAR.541) L/REMOTE VALVES FOR ELECTRONIC LIFT - CONTROL VALVE, RINGS - D5484
1.82.7/09	01	(VAR.088) 3 REAR REMOTE VALVES - REMOTE VALVES - C5484
1.82.7/09	02	(VAR.088) 3 REAR REMOTE VALVES - PIPES AND RINGS - C5484
1.82.7/09	03	(VAR.088) 3 REAR REMOTE VALVES - QUICK COUPLINGS - C5484
1.82.7/09	04	(VAR.088) 3 REAR REMOTE VALVES - PIPES - C5484
1.82.7/09	05	(VAR.088) 3 REAR REMOTE VALVES - REMOTE VALVES - D5484
1.82.7/09	06	(VAR.088) 3 REAR REMOTE VALVES - PIPES AND RINGS - D5484
1.82.7/09	07	(VAR.088) 3 REAR REMOTE VALVES - QUICK COUPLINGS - D5484
1.82.7/09	08	(VAR.088) 3 REAR REMOTE VALVES - PIPES - D5484
1.82.7/09A		DOUBLE FLOW DIVIDER - BREAKDOWN - C5484
1.82.7/09B		DOUBLE FLOW DIVIDER - BREAKDOWN - D5484
1.82.713		(VAR.370-418) TRAILER BRAKE VALVE (FRANCE) - PIPES
1.82.713/01	01	(VAR.372-414) TRAILER BRAKE VALVE (ITALY) - PIPES AND SOLENOID VALVES
1.82.713/01	02	(VAR.372-414) TRAILER BRAKE VALVE (ITALY) - PIPES AND SOLENOID VALVES
1.82.713/01	03	(VAR.372-414) TRAILER BRAKE VALVE (ITALY) - PIPES AND SOLENOID VALVES
1.82.8		SHAFT AND IDLER UNIT
1.82.8/01		(VAR.821-832) ELECTRONIC LIFT (OPEN CENTER) - SHAFT AND IDLER UNIT
1.82.9		SEC. 08 - SHEET METAL
1.83.0	01	HOOD
1.83.0	02	HOOD
1.83.0	03	HOOD
1.83.0/02	01	(VAR.101) NOISE REDUCTION PACKAGE - UPPER HOOD
1.83.0/02	02	(VAR.101) NOISE REDUCTION PACKAGE - UPPER HOOD AND LEVERS
1.87.0	01	MUDGUARDS AND FOOTBOARDS - L/CAB
1.87.0	02	MUDGUARDS AND FOOTBOARDS - L/CAB
1.87.0/01	01	CAB - CAB SUPPORTS
1.87.0/01	02	CAB - CAB SUPPORTS
1.87.0/03		(VAR.271) HI-LO - MUDGUARDS AND FOOTBOARDS
1.87.0/04		(VAR.297) HI-LO NA - MUDGUARDS AND FOOTBOARDS
1.87.0/05		(VAR.664) LADDER
1.87.0/06	01	(VAR.101) NOISE REDUCTION PACKAGE MUDGUARDS AND FOOTBOARDS - L/CAB
1.87.0/06	03	(VAR.101) NOISE REDUCTION PACKAGE MUDGUARDS AND FOOTBOARDS - L/CAB
1.87.0/06	04	(VAR.101) NOISE REDUCTION PACKAGE - MUDGUARDS AND FOOTBOARDS - L/CAB
1.87.0/07		(VAR.169) PROTECTION UNDER PLATFORM
1.88.0		SEC. 09 - LINKAGE
1.89.0		TOW HOOK SUPPORT

---

**TABLE OF CONTENTS**

---

1.89.0/01	01.1	(VAR.572-891) FIXED HOOK, CAT. "C", VERTICAL ADJUST SLIDING
1.89.0/01	02	(VAR.891) FIXED HOOK,CAT. "C", VERTICAL ADJUST SLIDING
1.89.0/02		(VAR.895) FIXED HOOK, CAT. "C", VERTICAL ADJUST, W/PIN 29MM HOLE
1.89.0/03	01	(VAR.896) SUPPORT AND DRAWBAR CATEGORY "A" TOW HOOK 33MM WITH END PIECES
1.89.0/03	02	(VAR.896) SUPPORT AND DRAWBAR CATEGORY "A" TOW HOOK 33MM WITH END PIECES
1.89.0/04	01	(VAR.897) SWIVEL HOOK FOR EEC, VERTICAL ADJUST SLIDING
1.89.0/04	02	(VAR.897) SWIVEL HOOK FOR EEC, VERTICAL ADJUST SLIDING - C5635
1.89.0/04	02A	(VAR.897) SWIVEL HOOK FOR EEC, VERTICAL ADJUST SLIDING - D5635
1.89.0/05		(VAR.907) TOW-BAR CATEGORY "A" TOW HOOK 33 MM.
1.89.0/06		(VAR.913) TOW-BAR CATEGORY "A" 29MM.
1.89.0/07	01	(VAR.082-083-567-572) HIDRAULIK STABILISERS WITH "CEE" HOOK FOR MDC AND EDC - HOOK SUPPORT
1.89.0/07	02	(VAR.567) SWIVEL HOOK FOR EEC, VERTICAL ADJUST SLIDING - C5635
1.89.0/07	02A	(VAR.082-567) SWIVEL HOOK FOR EEC, VERTICAL ADJUST SLIDING - D5635
1.89.3		(VAR.886) SWIVEL HOOK, VERTICAL ADJUST, W/PIN, 33MM HOLE
1.89.4		(VAR.895/1) SUPPORT FOR TRAILER BRAKE CONTROL LEVER (ITALY) - L/CAB
1.89.6	01	IMPLEMENT CARRIER
1.89.6	02	IMPLEMENT CARRIER
1.89.6	03	IMPLEMENT CARRIER
1.89.6	04	IMPLEMENT CARRIER
1.89.6/ A		IMPLEMENT CARRIER - BREAKDOWN
1.89.6/ B		IMPLEMENT CARRIER - BREAKDOWN
1.89.6/01		(VAR.476) THREE POINT HITCH W/ QUICK COUPLING, WITH 24" TYRES
1.89.6/01A		IMPLEMENT CARRIER - BREAKDOWN
1.89.6/02		(VAR.882) HYDRAULIC RIGHT LIFTING ROD - TIE-ROD, PIPES AND CONNECTIONS
1.89.6/02A		(VAR.882) HYDRAULIC RIGHT LIFTING ROD - BREAKDOWN
1.89.6/03		(VAR.922) THREE POINT HITCH W/QUICK ATTACH W/RH LIFT ROD HYD.W/TYRES 28"
1.89.6/03A		(VAR.922) IMPLEMENT CARRIER - BREAKDOWN
1.89.6/04		(VAR.821-832) ELECTRONIC LIFT (OPEN CENTER) - ROD
1.89.6/06		(VAR.948) THREE POINT HITCH W/ QUICK COUPLING, WITH 20" TYRES
1.90.4		SEC. 10 - DRIVER'S COMPARTMENT
1.90.5		TOOL BOX
1.92.10	01	THROTTLE CONTROL LINKAGE
1.92.10	02	THROTTLE CONTROL LINKAGE
1.92.11		THROTTLE CONTROL LINKAGE
1.92.26	01	CLUTCH CONTROL
1.92.26	02	PTO CONTROL



---

## TABLE OF CONTENTS

---

1.92.26/01		(VAR.271) HI-LO - CLUTCH CONTROL, PEDAL AND SUPPORTS
1.92.26/02		(VAR.297) HI-LO NA - CLUTCH CONTROL, PEDAL AND SUPPORTS
1.92.63		STEERING WHEEL, COLUMN, HYDRAULIC STEERING MOTOR
1.92.63/ A		STEERING COLUMN - BREAKDOWN
1.92.63/ B		HYDRAULIC STEERING - BREAKDOWN
1.92.67		HANDBRAKE CONTROL
1.92.68	01	BRAKE PEDALS
1.92.68	02	BRAKE PEDALS
1.92.74	01	ELECTRIC CONTROLS
1.92.74	02	ELECTRIC CONTROLS - L/CAB
1.92.74	03	ELECTRIC CONTROLS - W/CAB
1.92.75	01	ELECTRIC CONTROLS
1.92.75	02	ELECTRIC CONTROLS
1.92.75	03	INSTRUMENT CLUSTER - C5294
1.92.75	03A	INSTRUMENT CLUSTER - D5294
1.92.75/01		(VAR.745) DIGITAL INSTRUMENT CLUSTER
1.92.750	01	(VAR.821-832) ELECTRONIC LIFT (OPEN CENTER) - ELECTRICAL SYSTEM CONTROLS, PIPES AND OIL FILTER
1.92.750	02	(VAR.821-832) ELECTRONIC LIFT (OPEN CENTER) - ELECTRICAL SYSTEM CONTROLS,PARTS
1.92.752		(VAR.745) DIGITAL INSTRUMENT CLUSTER - SENSOR
1.92.754	01	(VAR.821-832) ELECTRONIC LIFT (OPEN CENTER) - MAIN HARNESS ASSEMBLY
1.92.754	02	(VAR.821-832) ELECTRONIC LIFT (OPEN CENTER) - ELECTRICAL SYSTEM CABLING
1.92.76		LIGHTING COMPONENTS - L/CAB
1.92.761		(VAR.777) RADIO ANTENNA & SPEAKERS
1.92.82	01	LIFTER OUTER CONTROLS
1.92.82	02	LIFTER OUTER CONTROLS - L/CAB
1.92.82/01	01	LIFTER OUTER CONTROL - W/CAB
1.92.82/01	02	LIFTER OUTER CONTROL - W/CAB
1.92.82/02		(VAR.390-498/2) THREE REMOTE VALVES & FLOW-RATE REGULATOR - CONTROL LEVER
1.92.82/03	01	(VAR.390/1-399-498-498/1) 3 REM VALVES W/FLOW-RATE REG. AND HYD. DIVIDER - CONTROL LEVER
1.92.82/03	02	(VAR.390/1-399-498-498/1) 3 REM VALVES W/FLOW-RATE REG. AND HYD. DIVIDER - CONTROL LEVER
1.92.82/04		(VAR.419) THREE REMOTE VALVES FOR ELECTRONIC LIFT - CONTROL LEVER
1.92.82/05	01	(VAR.419/1) 3 REM. VALVES FOR ELECTRONIC LIFTER W/HYDRAULIC DIVIDER - CONTROL LEVER
1.92.82/05	02	(VAR.419/1) 3 REM. VALVES FOR ELECTRONIC LIFTER W/HYDRAULIC DIVIDER - CONTROL LEVER
1.92.82/06	01	(VAR.088) 3 REAR REMOTE VALVES - CONTROL LEVER
1.92.82/06	02	(VAR.088) 3 REAR REMOTE VALVES - CONTROL LEVER

---

## TABLE OF CONTENTS

---

1.92.83		FRONT CONSOLE TRIM
1.92.83/01		(VAR.271) HI-LO - FRONT CONSOLE TRIM
1.92.83/02		(VAR.297) HI-LO NA - FRONT CONSOLE TRIM
1.92.83/03		(VAR.486-541) L/REMOTE VALVES FOR MDC/EDC - FRONT CONSOLE TRIM
1.92.85		SEAT - L/CAB
1.92.85/ A	01	GREY PVC SEAT WITHOUT BELTS AND WITHOUT SWITCH - BREAKDOWN - C5644
1.92.85/ A	02	GREY PVC SEAT WITHOUT BELTS AND WITHOUT SWITCH - BREAKDOWN - C5644
1.92.85/ B	01	"MT" GREY PVC SEAT WITHOUT BELTS AND WITHOUT SWITCH - BREAKDOWN - D5644 - C6005
1.92.85/ B	02	"MT" GREY PVC SEAT WITHOUT BELTS AND WITHOUT SWITCH - BREAKDOWN - D5644 - C6005
1.92.85/ C		VINYL SEAT WITHOUT BELTS AND WITHOUT SWITCH - D6005
1.92.85/01		SEAT - W/CAB
1.92.85/01A	01	(VAR.090) CANTO SEAT, WITHOUT BELTS, WITHOUT SWITCH - BREAKDOWN - C5644
1.92.85/01A	02	(VAR.090) CANTO SEAT, WITHOUT BELTS, WITHOUT SWITCH - BREAKDOWN - C5644
1.92.85/01B	01	(VAR.090) CANTO SEAT, WITHOUT BELTS, WITHOUT SWITCH - BREAKDOWN - D5644
1.92.85/01B	02	(VAR.090) CANTO SEAT, WITHOUT BELTS, WITHOUT SWITCH - BREAKDOWN - D5644 - C6005
1.92.85/02		(VAR.197) CANTO SEAT, WITH BELTS, WITHOUT SWITCH - W/CAB
1.92.85/02A	01	(VAR.197) CANTO SEAT, WITH BELTS, WITHOUT SWITCH - W/CAB - BREAKDOWN - C5644
1.92.85/02A	02	(VAR.197) CANTO SEAT, WITH BELTS, WITHOUT SWITCH - W/CAB - BREAKDOWN - C5644
1.92.85/02B	01	(VAR.197) CANTO SEAT, WITH BELTS, WITHOUT SWITCH - W/CAB - BREAKDOWN - D5644
1.92.85/02B	02	(VAR.197) CANTO SEAT, WITH BELTS, WITHOUT SWITCH - W/CAB - D5644
1.92.85/03		(VAR.850) CANTO SEAT WITH AIR SUSPENSION, BELTS AND SWITCH - W/CAB
1.92.85/03A	01	(VAR.850) CANTO SEAT WITH AIR SUSPENSION, BELTS AND SWITCH - W/CAB - BREAKDOWN
1.92.85/03A	02	(VAR.850) CANTO SEAT WITH AIR SUSPENSION, BELTS AND SWITCH - W/CAB - BREAKDOWN
1.92.85/04		(VAR.859) CANTO SEAT WITH AIR SUSPENSION, SWITCH - W/CAB
1.92.85/04A	01	(VAR.859) CANTO SEAT WITH AIR SUSPENSION, SWITCH - W/CAB - BREAKDOWN
1.92.85/04A	02	(VAR.859) CANTO SEAT WITH AIR SUSPENSION, SWITCH - W/CAB - BREAKDOWN
1.92.85/05		(VAR.963) CANTO SEAT WITH BELTS AND SWITCH - W/CAB
1.92.85/05A	01	(VAR.963) CANTO SEAT WITH BELTS AND SWITCH - W/CAB - BREAKDOWN - C5644
1.92.85/05A	02	(VAR.963) CANTO SEAT WITH BELTS AND SWITCH - W/CAB - BREAKDOWN - C5644
1.92.85/05B	01	(VAR.963) CANTO SEAT WITH BELTS AND SWITCH - W/CAB - BREAKDOWN - D5644
1.92.85/05B	02	(VAR.963) CANTO SEAT WITH BELTS AND SWITCH - W/CAB - BREAKDOWN - D5644
1.92.85/06		(VAR.155) GREY PVC SEAT WITH BELTS, WITHOUT SWITCH - L/CAB
1.92.85/06A	01	(VAR.155) GREY PVC SEAT WITH BELTS, WITHOUT SWITCH - L/CAB - BREAKDOWN - C5644
1.92.85/06A	02	(VAR.155) GREY PVC SEAT WITH BELTS, WITHOUT SWITCH - L/CAB - BREAKDOWN - C5644
1.92.85/06B	01	(VAR.155) GREY PVC SEAT WITH BELTS, WITHOUT SWITCH - L/CAB - BREAKDOWN - D5644 - C6005
1.92.85/06B	02	(VAR.155) GREY PVC SEAT WITH BELTS, WITHOUT SWITCH - L/CAB - D5644 - C6005

---

## TABLE OF CONTENTS

---

1.92.85/06C		VINYL SEAT WITH RETRACTABLE BELTS - BREAKDOWN - L/CAB - D6005
1.92.85/07		(VAR.956) GREY PVC SEAT WITH BELTS, WITH SWITCH - L/CAB
1.92.85/07A	01	(VAR.956) GREY PVC SEAT WITH BELTS, WITH SWITCH - L/CAB - BREAKDOWN - C5644
1.92.85/07A	02	(VAR.956) GREY PVC SEAT WITH BELTS, WITH SWITCH - L/CAB - BREAKDOWN - C5644
1.92.85/07B	01	(VAR.956) GREY PVC SEAT WITH BELTS, WITHOUT SWITCH - L/CAB - BREAKDOWN - D5644
1.92.85/07B	02	(VAR.956) GREY PVC SEAT WITH BELTS, WITH SWITCH - L/CAB - BREAKDOWN - D5644
1.92.87	01	MUDGUARDS AND FOOTBOARDS - L/CAB
1.92.87	02	MUDGUARDS AND FOOTBOARDS - L/CAB
1.92.87	03	MUDGUARDS AND FOOTBOARDS
1.92.87/01		CAB - COVERINGS
1.92.87/02		(VAR.137) MUDGUARDS SIDE SHIELD
1.92.87/03		(VAR.137/1) MUDGUARDS SIDE SHIELD - W/CAB
1.92.87/04		(VAR.499) MUDGUARDS SIDE SHIELD, LOWER POSITION, 20" TYRES - L/CAB
1.92.87/05		(VAR.865) MUDGUARDS SIDE SHIELD - L/CAB
1.92.87/06		(VAR.867) MUDGUARDS SIDE SHIELD - L/CAB
1.92.87/07		(VAR.895/1) SUPPORT FOR TRAILER BRAKE CONTROL (ITALY) - W/CAB
1.92.87/11		(VAR.419-419/1) THREE REMOTE VALVES FOR ELECTRONIC LIFT - MUDGUARD COVERS
1.92.872		(VAR.878) REAR VIEW MIRROR - L/CAB
1.92.88	01	COVERINGS - L/CAB
1.92.88	02	COVERINGS - L/CAB
1.92.88/01	01	CAB - COVERINGS, ROOF HOOD AND PILLARS
1.92.88/01	02	CAB - SOUNDPROOFING
1.92.89		SAFETY FRAME
1.92.89/01		(VAR.101) NOISE REDUCTION PACKAGE - ROPS & RELATED PARTS
1.92.89/02		(VAR.874) SAFETY FRAME
1.92.91	01	CAB - WINDSCREEN WIPER FRONT
1.92.91	02	CAB - REAR WINDSHIELD WIPER - C5319
1.92.91	02A	CAB - REAR WINDSHIELD WIPER - D5319
1.92.91/01		(VAR.089) CAB - REAR WINDSHIELD WIPER - D5319
1.92.92	01	CAB - DOORS, WINDOWS, HINGES AND FASTENING PINS - C5188
1.92.92	01A	CAB DOORS - D5188
1.92.92	02	CAB - WINDOWS, DOORS AND FASTENING HINGES - C5188
1.92.92	02A	CAB DOORS - D5188
1.92.92	03	CAB - DOOR INNER HANDLE AND RELEVANT PARTS - C5188
1.92.92	03A	CAB DOORS - D5188
1.92.92	04	CAB - DOOR OUTER HANDLE AND RELEVANT PARTS - C5188

**Thanks very much for your reading,  
Want to get more information,  
Please click here, Then get the complete  
manual**

**JustClickHere** 

**NOTE:**

**If there is no response to click on the link above,  
please download the PDF document first, and then  
click on it.**

**Have any questions please write to me:  
[admin@servicemanualperfect.com](mailto:admin@servicemanualperfect.com)**